

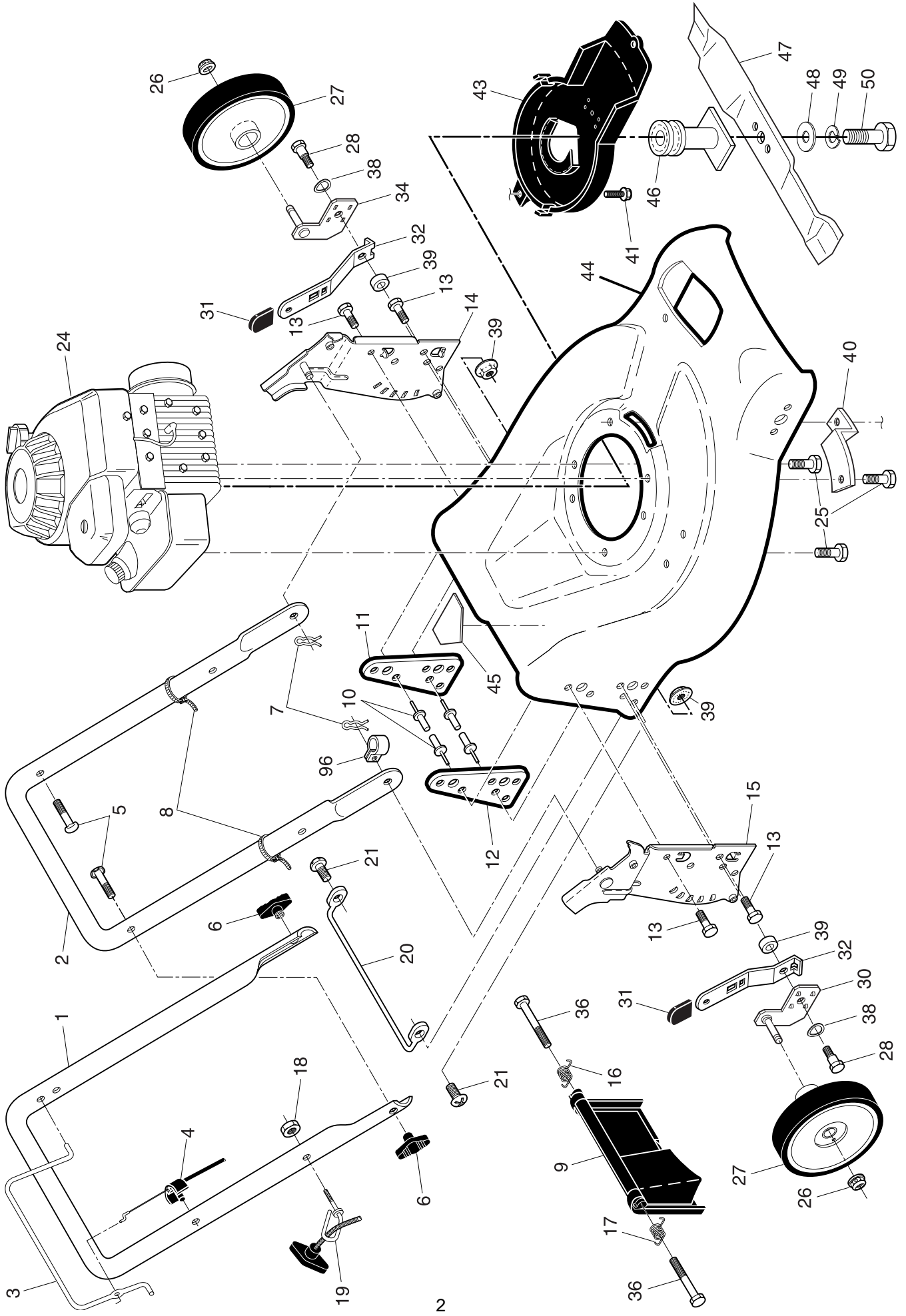
**ILLUSTRATED PARTS LIST**

**MODEL NUMBER 4051CM**

**PRODUCT NUMBER 961 41 00-44**

**MFG. ID. NUMBER 96141004404**

**ROTARY LAWN MOWER -- MODEL NUMBER 4051CM (96141004404) PRODUCT NUMBER 961 41 00-44**

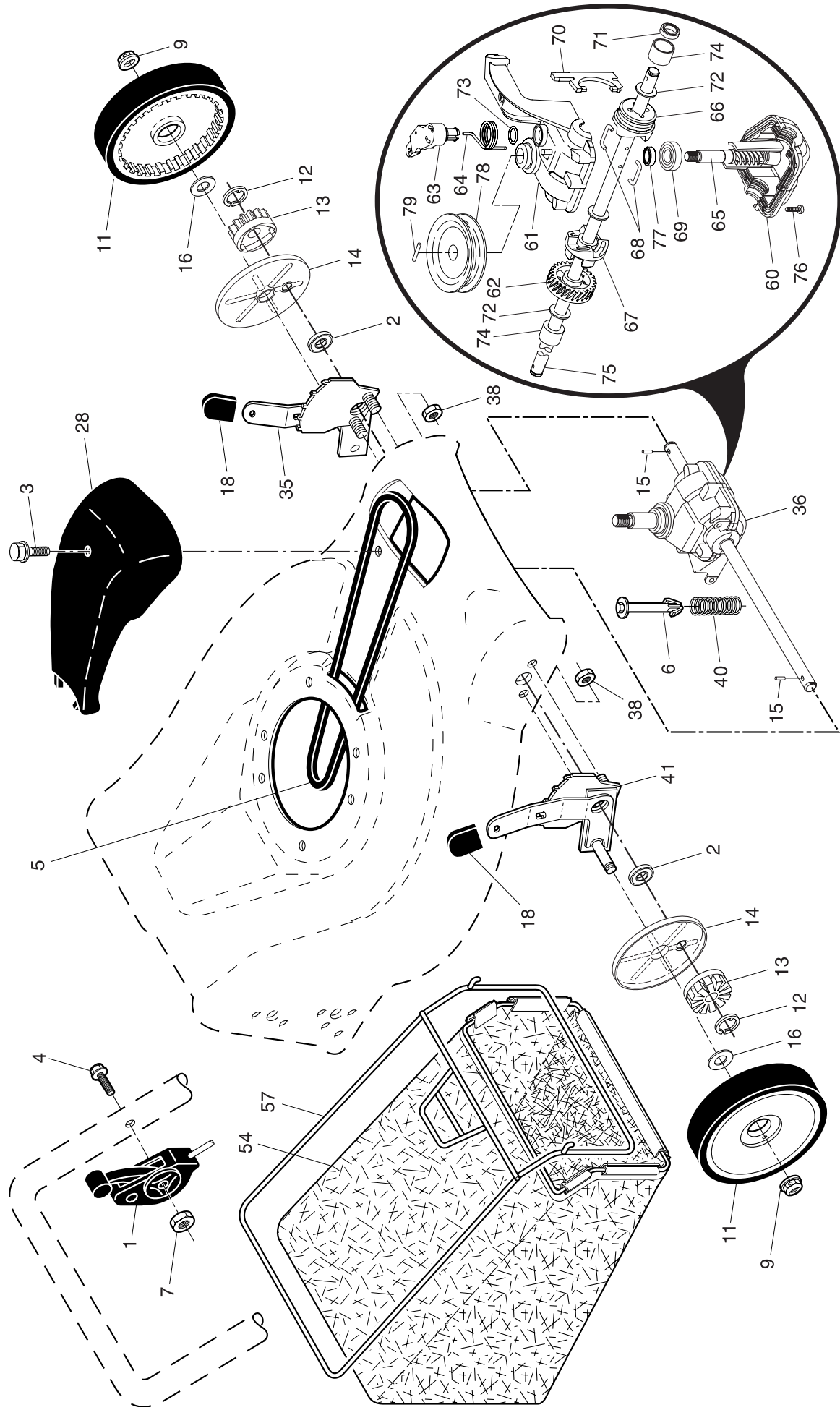


**ROTARY LAWN MOWER - - MODEL NUMBER 4051CM (96141004404) PRODUCT NUMBER 961 41 00-44**

KEY NO.	PART NO.	DESCRIPTION	KEY NO.	PART NO.	DESCRIPTION
1	532 19 25-17	Upper Handle	27	532 19 79-85	Wheel & Tire Assembly
2	532 15 36-05	Lower Handle	28	<b>532 40 16-38</b>	Shoulder Bolt 5/16-18 x .33
3	532 14 67-71	Control Bar	29	<b>532 19 85-41</b>	Nut
4	532 18 35-67	Engine Zone Control Cable	30	<b>532 41 21-74</b>	Axle Arm Assembly, Rear
5	532 19 15-74	Handle Bolt	31	532 08 78-77	Selector Knob
6	532 19 19-38	Handle Knob	32	<b>532 41 08-88</b>	Selector Spring
7	532 05 17-93	Hairpin Cotter	36	532 18 41-93	Bolt, Hex Head
8	532 06 64-26	Wire Tie	38	<b>532 40 16-30</b>	Washer
9	<b>532 40 69-85</b>	Rear Door	39	<b>532 40 16-29</b>	Spacer
10	532 12 84-15	Pop Rivet	40	532 19 09-39	Mounting Bracket, Debris Shield
11	<b>532 41 05-40</b>	Support Bracket, LH	41	532 19 23-25	Screw
12	<b>532 41 05-42</b>	Support Bracket, RH	43	<b>532 40 58-45</b>	Debris Shield
13	817 06 04-10	Screw 1/4-20 x 5/8	44	<b>532 40 93-64</b>	Kit, Lawn Mower Housing (Includes Key Numbers 10, 11, 12 and 45)
14	532 19 01-54	Handle Bracket Assembly, LH	45	532 18 21-66	Danger Decal
15	532 19 01-53	Handle Bracket Assembly, RH	46	<b>532 40 46-32</b>	Blade Adapter/Pulley
16	<b>532 40 54-17</b>	Spring, Rear Door, LH	47	532 19 93-77	Blade, 21"
17	<b>532 40 54-18</b>	Spring, Rear Door, RH	48	532 85 10-74	Hardened Washer
18	532 13 20-04	Keps Locknut 1/4-20	49	532 85 02-63	Helical Washer 3/8-24 x 1-3/8 Grade 8
19	532 19 19-38	Rope Guide	50	532 85 10-84	Hex Head Machine Screw 3/8-24 x 1-3/8 Grade 8
20	<b>532 41 05-36</b>	Foot Guard, C.E.	96	532 19 79-91	Clip, Cable
21	532 05 45-83	Screw, Tapping 1/4-20 x 1/2	--	532 18 21-34	Decal, Warning (not shown)
24	---	Engine, Briggs & Stratton, Model Number 10E902 (order parts from engine manufacturer)	--	532 19 83-27	Operator's Manual, European
25	532 15 04-06	Hex Head Thread Rolling Screw 3/8-16 x 1-1/8	--	532 19 83-28	Operator's Manual, Scandinavian
26	<b>532 40 91-48</b>	Hex Flange Nut	--	532 19 92-17	Operator's Manual, Baltic

**NOTE:** All component dimensions given in U.S. inches. 1 inch = 25.4 mm. **IMPORTANT:** Use only Original Equipment Manufacturer (O.E.M.) replacement parts. Failure to do so could be hazardous, damage your lawn mower and void your warranty.

ROTARY LAWN MOWER -- MODEL NUMBER 4051CM (96141004404) PRODUCT NUMBER 961 41 00-44



**ROTARY LAWN MOWER - - MODEL NUMBER 4051CM (96141004404) PRODUCT NUMBER 961 41 00-44**

KEY NO.	PART NO.	DESCRIPTION	KEY NO.	PART NO.	DESCRIPTION
1	532 18 45-87	Control Cable Assembly	54	532 40 19-05	Grassbag Assembly
2	532 19 10-39	Bearing, Wheel Adjuster	57	<b>532 40 18-02</b>	Frame, Grassbag
3	532 17 52-62	Pan Head Tapping Screw #10-24 x 2-3/4	60	532 18 34-97 *	Case, Lower
4	532 15 87-55	Hex Washer Head Screw 1/4-20 x 2.12	61	532 18 34-98 *	Case, Upper
5	532 17 54-36	V-Belt	62	532 18 34-99	Gear, 27 Teeth
6	532 15 04-95	Spring Retainer	63	532 18 35-00	Lever, Clutch
7	532 19 17-30	Locknut, Hex #10-24	64	532 18 35-01	Spring, Return
9	<b>532 19 17-30</b>	Locknut, Hex	65	532 18 35-02	Shaft, Input
11	532 19 79-86	Wheel & Tire Assembly	66	532 18 35-03	Dog, Movable
12	812 00 00-58	E-Ring	67	532 18 35-04	Dog, Fixed
13	<b>532 40 38-49</b>	Pinion	68	532 18 35-05	Wire, Formed
14	532 18 94-03	Dust Cover	69	532 18 35-06	Bearing, Ball
15	532 19 10-17	Pawl, Drive	70	532 18 35-07	Fork, Shift
16	532 06 77-25	Washer 1/2 x 1-1/2 x .134	71	532 18 35-08	Seal, Output Shaft
18	532 08 78-77	Selector Knob	72	532 18 35-09	Washer
28	532 19 58-81	Drive Cover	73	532 18 35-10	Seal, Case
35	<b>532 40 88-02</b>	Kit, Wheel Adjuster, LH (Includes Knob and Bearing)	74	532 18 35-11	Bushing
36	532 19 92-05	Gearcase Assembly, Complete	75	532 19 66-13	Shaft, Output
38	873 80 04-00	Locknut, Hex 1/4-20	76	532 18 35-13	Screw
40	532 13 70-90	Spring	77	532 18 35-14	Seal, Input Shaft
41	<b>532 40 88-03</b>	Kit, Wheel Adjuster, RH (Includes Knob and Bearing)	78	532 19 98-52	Drive Pulley
			79	532 19 94-19	Pin, Retaining

\* Use Dow Corning #709 to reseal Gear Case Halves.

**NOTE:** All component dimensions given in U.S. inches. 1 inch = 25.4 mm. **IMPORTANT:** Use only Original Equipment Manufacturer (O.E.M.) replacement parts. Failure to do so could be hazardous, damage your lawn mower and void your warranty.